



Weblink
1380

Project page
254

Legacy Salmon Creek Hospital. Vancouver, Washington, USA. Architect: Zimmer Gunsul Frasca Partnership. Lighting designer: Francis Krahe & Associates Inc. Electrical engineer: Affiliated Engineers Inc. Photo: Frank Domin

Design

Arne Jacobsen

Concept

Munkegaard appears as a disc hovering just below the ceiling, an image mainly created by the illuminated slot. The quality of the diffuser ensures an evenly lit surface, providing spaces with soft and diffused lighting.

Finish

High lustre chrome plated or satin chrome-plated. Prismatic acrylic. White opal glass.

Material

Diffuser: White opal glass or prismatic acrylic. Trim ring: High lustre chrome plated or satin chrome-plated, brass.

Mounting

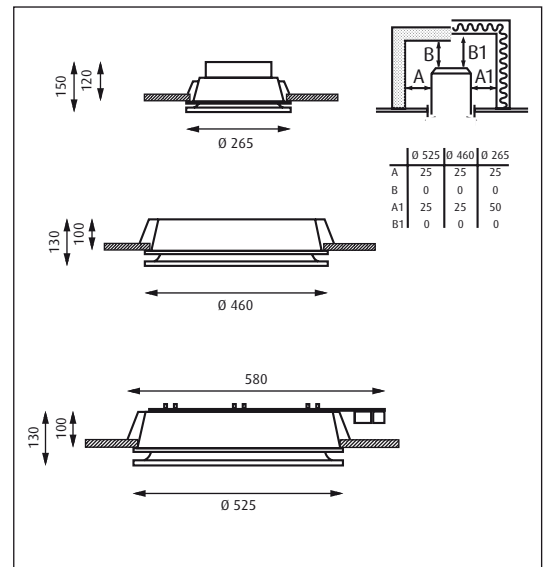
Ceiling thickness: Ø 265mm: 1-50mm, Ø 460mm/Ø 525mm: 1-55mm. Ceiling Cut-Out: Ø 265: 245mm, Ø 460: 440mm and Ø 525: 505mm. Terminal block: 1x5x2.5mm². Looping: Approved, max. 5x1,5mm² (Ø 265mm: Not approved for looping).

Weight

Max. 7kg.

Class

Ingress protection IP20. Electric shock protection I w. ground. ⚠



Product code	Dimensions	Light source	Finish	Shield/Diffuser	Lighting control
MUNK-C	Ø 265 Ø 460 Ø 525	1x32W TC-TEL GX24q-3 HF 1x32W TC-TEL GX24q-3 HF-D 1x22W+1x40W T-R5 2GX13 HF 1x22W+1x55W T-R5 HF-D 1x60W A60 Clear E27	HIGH LUSTRE CHROME-PLATED SATIN CHROME-PLATED	OPAL PRISMATIC	NONE DALI/DSI/SWITCH-DIM/SMART-DIM DIM 1-10V

Variant notes:

Prismatic acrylic diffuser only available for Ø 460 and Ø 525. 60W A55 and 32W TC-TEL only available for Ø 265. 22W+40W T-R5 only available for Ø 460 and Ø 525. 22+55W T-R5 only available for Ø 525. DALI/DSI/Switch-dim/Smart-dim and Dim 1-10V only available for 1x32W TC-TEL HF-D and 22+55W T-R5 HF-D.

Info notes:

Emergency light possible for 3H, with or without autotest. For Ø 265 only with 1x32 W. For Ø 460 + Ø 525 only with 22 +40W. For further emergency versions, please contact the sales office.



Page 52



Page 51