



Weblink
1528

Project page
254

Louis Poulsen Lighting A/S Headquarter. Copenhagen, Denmark. Architect: PLH arkitekter as. Lighting designer: Louis Poulsen Lighting A/S. Photo: Kaslov Studio

Design
Arne Jacobsen

Concept
Munkegaard Mega appears as a disc hovering just below the ceiling, an image mainly created by the illuminated slot. The quality of the diffuser ensures an evenly lit surface, providing spaces with soft and diffused lighting.

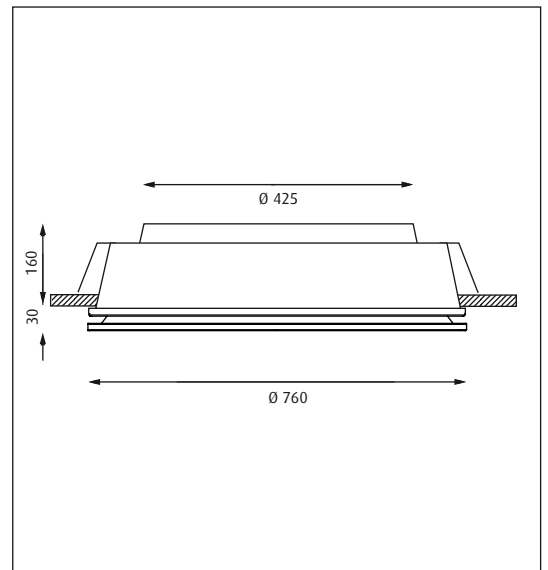
Finish
High lustre chrome plated or satin chrome-plated. White opal acrylic.

Material
Diffuser: White opal acrylic. Trim ring: High lustre chrome plated or satin chrome-plated, brass.

Mounting
Mounting hole: Ø 740 mm. Ceiling thickness: 1-55mm. Socketoutlet and plug: HF: Wieland 92.032.9658.1 GST 18i3F S2R. HF-D: Wieland 92.052.9658.1 GST 18i5F S2R.

Weight
Max. 8kg.

Class
Ingress protection IP20. Electric shock protection I w. ground. ⚠



Product code	Dimensions	Light source	Finish	Lighting control
MUNK-MEGA-C	Ø 760	3x55W T-R5 2GX13 HF 3x55W T-R5 2GX13 HF-D	HIGH LUSTRE CHROME-PLATED SATIN CHROME-PLATED	NONE DALI/DSI/SWITCH-DIM/SMART-DIM EMPK

Variant notes:
DALI/DSI/Switch-dim/Smart-dim only available for 3x55W T-R5 HF-D.

Info notes:
Supplied with matching Wieland female outlet.

