

**Weblink**  
1530

**Project page**  
254

Louis Poulsen Lighting A/S Factory, Vejle, Denmark. Architect: Bjarne Frost. Interior: Louis Poulsen Lighting A/S. Photo: Kaslov Studio

**Design**  
Arne Jacobsen

**Concept**  
Munkegaard Micro appears as a glass disc hovering just below the ceiling, an image mainly created by the illuminated slot. The quality of the layered glass ensures an evenly lit surface, providing spaces with soft and diffused lighting.

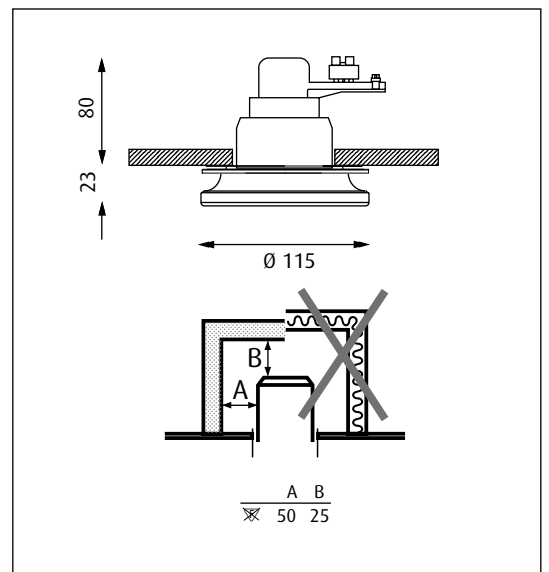
**Finish**  
Metallised chrome or satin chrome-plated. White opal glass.

**Material**  
Diffuser: White opal glass. Trim ring: Stainless steel.

**Mounting**  
Ceiling thickness: 5-32mm. Ceiling Cut-Out: Ø 70mm. Terminal block: 1x2x4mm<sup>2</sup>. Looping: Not approved. Ballast: Supplied without transformer.

**Weight**  
Max. 0.5kg.

**Class**  
Ingress protection IP20. Electric shock protection III low voltage. ⚡



Product code	Light source	Finish
MUNK-MI-C	1x20W QT ax-12 Clear GY6,35	METALLISED CHROME SATIN CHROME-PLATED

**Info notes:**  
Supplied with light source and without transformer. The fitting is also approved for 35W, but then the fixture is not approved for mounting directly on flammable material.



Page 50



Page 51