



Excalibur Hotel & Spa. Las Vegas, Nevada, USA. Architect: Klai Juba Architects. Lighting designer: Klai Juba Architects. Photo: Clearlight

Weblink
1472

Design
Kurt Nørregaard

Concept
Oslo Micro Ceiling is characterised by a narrow spread of downlight. The reflector shades reduce glare, while at the same time providing a soft transition of light between the luminaire and the ceiling.

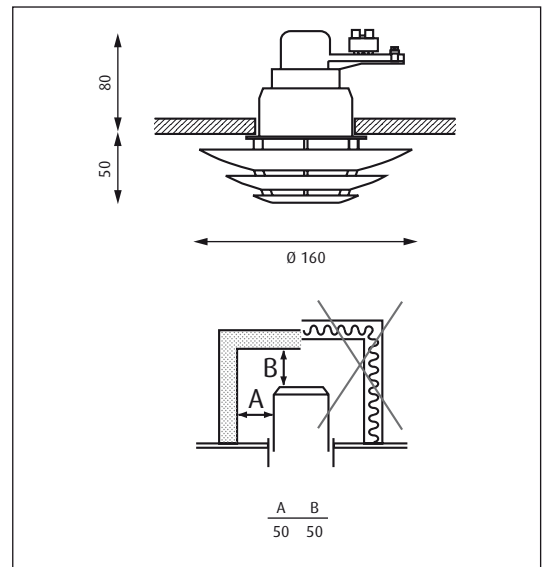
Finish
White, powder coated. White, wet painted.

Material
Shades: Spun steel and aluminium.

Mounting
Ceiling thickness: 5-32mm. Ceiling Cut-Out: Ø 70mm. Terminal block: 1x2x4mm². Looping: Not approved. Ballast: Supplied without transformer.

Weight
Max. 0.5kg.

Class
Ingress protection IP20. Electric shock protection III low voltage.



Product code	Light source	Finish
OS-MI-C	1x50W QT ax-12 Clear GY6,35	WHT

Info notes:
Supplied with light source and without transformer.



Page 147



Page 91



Page 56