

semi-recessed & surface



Familienzentrum. Offenburg, Germany. Arkitekt: K9 Borgards-Lösch-Piribauer. Lighting designer: Vertec Ettenheim. Photo: Günther Lehnert

Weblink
1491

Design
Louis Poulsen Lighting A/S

Concept
Record wall & ceiling is a flat surface mounted fixture with indirect/direct lighting. The indirect light is filtered by an opal acrylic cover.

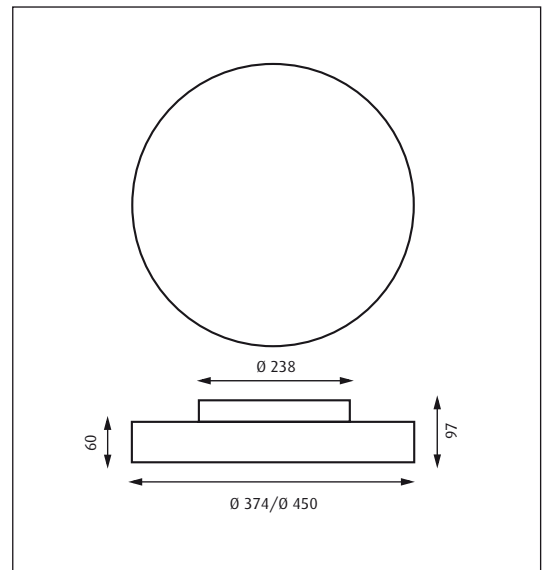
Finish
Aluminium coloured with textured surface, powder coated. Prismatic acrylic.

Material
Diffuser: Vacuum formed white opal acrylic or prismatic acrylic. Ring: Die cast aluminium. Housing: Spun steel.

Mounting
Terminal block: 1x5x2.5mm². Cable entries: 2x rear entries, Ø 20mm. Looping: Approved, max. 5x1,5mm².

Weight
Max. 4kg.

Class
Ingress protection IP20. Electric shock protection I w. ground. ⚡



Product code	Dimensions	Light source	Finish	Shield/Diffuser	Lighting control
REC-WC	Ø 374 Ø 450	1x40W T-R5 2GX13 HF 1x22W+1x40W T-R5 2GX13 HF 1x55W T-R5 2GX13 HF 1x40W+1x60W T-R5 2GX13 HF	ALU COL TEXT	OPAL PRISMATIC	NONE DIM 1-10V

Variant notes:
Ø 374 only available with 1x40 or 1x55W T-R5. Ø 450 only available with 1x22+40, 1x55 or 1x40+60W T-R5

