



Weblink
1470

Project page
276, 352

Restaurant Jacobsen, Bellevue, Denmark. Photo: Planet

Design

Alfred Homann

Concept

Strata Micro creates symmetrical downlight. The rings reduce the angle of glare and catch some of the light, reflecting it onto the ceiling to ensure a soft transition between the trim and the ceiling.

Finish

White, powder coated.

Material

Rings: Punched steel.

Mounting

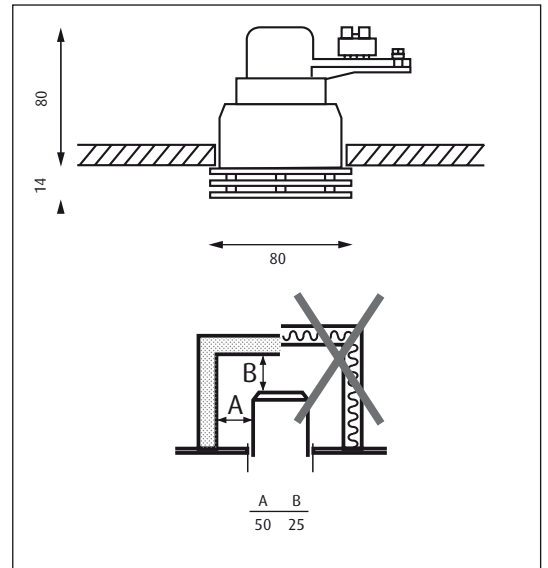
Ceiling thickness: 5-32mm. Ceiling Cut-Out: Ø 70mm. Terminal block: 1x2x4mm². Looping: Not approved. Ballast: Supplied without transformer.

Weight

Max. 0.5kg.

Class

Ingress protection IP20. Electric shock protection III low voltage.



Product code	Light source	Finish
STRA-MI-C	1x35W QT ax-12 Clear GY6,35 1x50W QT ax-12 Clear GY6,35	WHT

Info notes:
Supplied with light source and without transformer.

