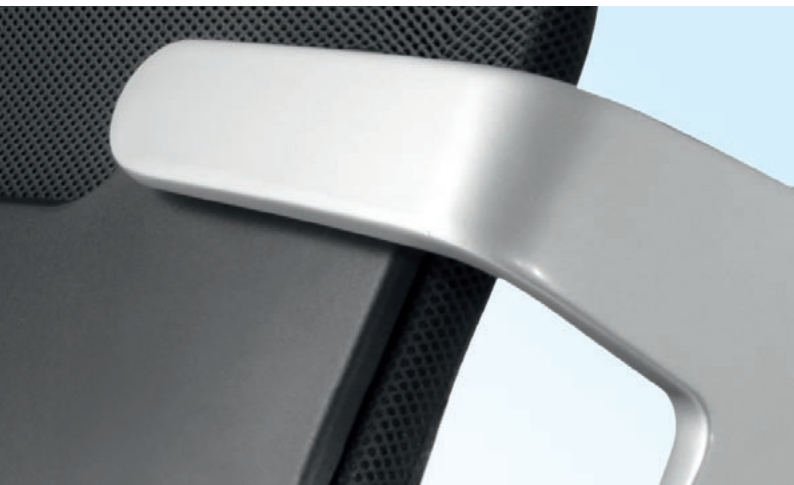


design made in germany

# Wilkhahn

## ON.<sup>®</sup>

The next generation of seating.





**ON®**

Design: wiege

Model 175/7

Bright chromium-

plated frame,

with Fiberflex cover

ON<sup>®</sup>

A new sense of freedom.  
Sitting in natural positions.

Wilkhahn<sup>®</sup> has devoted decades to developing office chairs that encourage our natural desire to keep our bodies moving and healthy. Chairs that are exceptional for their ease of use and superb design.

Leading experts in health and sports science now confirm that traditional ergonomics stipulating correct and incorrect sitting postures lead up a blind alley. In fact experts are calling for a pro-active seating concept that offers our bodies all the freedom of movement they are capable of. Our bodies know what is right for them – they just need a chance to prove it. The credo for healthy seating is to inspire but not tire.

After five years' development, ON sets a new milestone. ON is a fluid combination of natural, three-dimensional movement and relaxation that rouses both mind and body.



ON<sup>®</sup>

Trimension<sup>®</sup>, natural, assured,  
three-dimensional.

Trimension lies at the heart of ON. Due to innovative, synchro-supporting 3D kinematics, the sideways inclination of the seat and backrest is integrated into a perfect and synchronous movement concept. Two separate swing plates move in the same way our thighs do. Ball and socket joints connect the swing plates to the Flexframe<sup>®</sup>, a combination of a flexible seat shell and extremely flexible back frame. Because the kinematics precisely mirror the natural functions and positions of the hip and knee joints, the body's centre of gravity stays in perfect balance – no matter what posture you adopt or way you move. The joints, the spine, the dynamic muscles and the entire metabolism are all activated without causing fatigue. ON activates the metabolism – which is not just good for our health, but our level of productivity too.

The chair's design also embraces the new sense of freedom: ON is understated, spacious and appealing. ON immediately conveys trust, value and comfort.

Form follows function. ON® is intuitive to use – two buttons let you rapidly adjust the integrated counterpressure.





The patented seat depth adjustment is fascinatingly simple and intelligent. Just roll it up or away to make it longer or shorter.









The 3D armrests, integrated in the swing plates, follow the way the body moves. They are just as intuitive to adjust as the height of the backrest.

Typical ON® features: The distinctive swing plates with the suspended seat-back element (Flexframe®) lend the chair a spatial quality that harmonises well with interiors.

Model 174/7

Star base made of black through-dyed plastic, swing plates coated in silver, Fiberflex covers.







ON<sup>®</sup>

## Comfortable interaction.

ON's healthy and comfortable seating concept is based on the innovative interaction of three components:

- innovative mechanics with separately flexible swing plates,
- the three-dimensional Flexframe<sup>®</sup> consisting of a flexible, understated and upholstered seat shell and an elastic back frame,
- as well as the Fiberflex backrest cover.

This three-dimensional, permanently elastic and breathable fabric has a micro-cushioning effect and adapts to any shape of back and posture – just like a second skin.

Even in its standard version, ON offers excellent comfort without any additional cushion because the materials used are flexible, elastic and breathable. In the standard version, Fiberflex is available on both the back and the seat.



Model 175/7  
Bright chromium-plated  
frame, with fabric cover

ON.<sup>®</sup>

Versatility included.

The modular structure of the ingeniously simple and high quality design enables three-dimensional, pro-active dynamic seating – for anybody, anywhere. Three types of upholstery, three backrest heights, three types of armrests and different frame finishes cover the whole spectrum of functions and designs one could wish for. In addition to the standard type with Fiberflex cover, Wilkhahn's fabric collection has a wide range of textiles and leathers to colour the seat and backrest covers.

A real bonus: an additional backrest cover can be sleeved over the basic Fiberflex-covered frame. Because the seat cushion and backrest are so simple to fit and dismantle, the covers can easily be removed or exchanged at a later date.



Soft and inviting textural qualities can lend ON® a homely character.

Model 175/7  
Bright chromium-plated frame,  
fabric cover







Model 175/71  
Bright chromium plated  
frame, with headrest  
and management grade  
leather upholstery

ON<sup>®</sup>

Unparalleled freedom of movement.

Health is a condition that should always be optimised. And businesses cannot afford compromises – whatever level in the hierarchy. As a result, each ON office chair includes unique Trimension<sup>®</sup> to foster three-dimensional activation of the entire back and metabolic system. The chair is also very spacious to allow different postures.

ON can also offer enhancement features with extra comfort that reflect levels of seniority in the company. ON's management grade upholstery has heightened side facings and finely stitched seams in the extra padded covers. Subtle and discreet is the suggestive way ON elevates pride of ownership. By selecting the back with headrest, fine quality leather upholstery and leather upholstered armrests, ON becomes an excellent executive chair.

The management grade upholstery in high backrest models also has a characteristic craft stitch feature.

Model 175/71

Bright chromium-plated frame,  
leather management grade upholstery











Model 178/71  
Bright chromium plated,  
leather management  
grade upholstery



ON.<sup>®</sup>

## Cantilever chair.

Model 178/7  
Bright chromium  
plated,  
stackable, with  
Fiberflex cover



ON was developed as a product family. As a result, coherent furnishing solutions with swivel work chairs and pull-up chairs for meetings perfectly complement one another. Seat shell and back frame allude to the swivel chairs and offer optimal comfort. The design of the frame is also typical of ON's clarity of form. A standard feature of all Fiberflex and fabric covered types is that they are stackable. The management grade upholstery is also an option for more discerning customers.





The slender profile and distinctive curvature of the outer pull and base frame promote a harmonious sensation of comfort and elegance.

Model 178/7  
Bright chromium plated,  
stackable, with fabric cover



ON.<sup>®</sup>  
Visitor chair.

Model 176/7  
bright chromium  
plated,  
stackable, with  
Fiberflex cover



The fixed-leg chair has the same seat-back construction as the cantilever. The similar outer pull is also a characteristic of the ON product family. Fiberflex or fabric upholstered, stackable types and management grade upholstery are also available.

# ON<sup>®</sup>. The product family at a glance.

The ON product family offers three backrest heights, three types of armrests and three types of upholstery. In terms of function and design, ON ticks all the boxes.

**Backrest heights** (each adjustable by 60 mm): medium-height backrest, or high backrest, or high backrest with headrest.

**Armrest pads** (all three-dimensionally adjustable): standard or soft foam pad, or leather upholstered pad.

**Types of upholstery:** seat and backrest covered in Fiberflex, or seat fabric cover with additional fabric cover on the backrest, or management grade upholstery with side facings and covers in fabric or leather.

**Swivel chair frame types:** the star base is available in black through-dyed plastic, or die-cast aluminium optionally coated, or with a natural polished finish or bright chromium plated. Bases with coated die-cast aluminium, natural polished finish or bright chromium plated combine with swing plates to match.

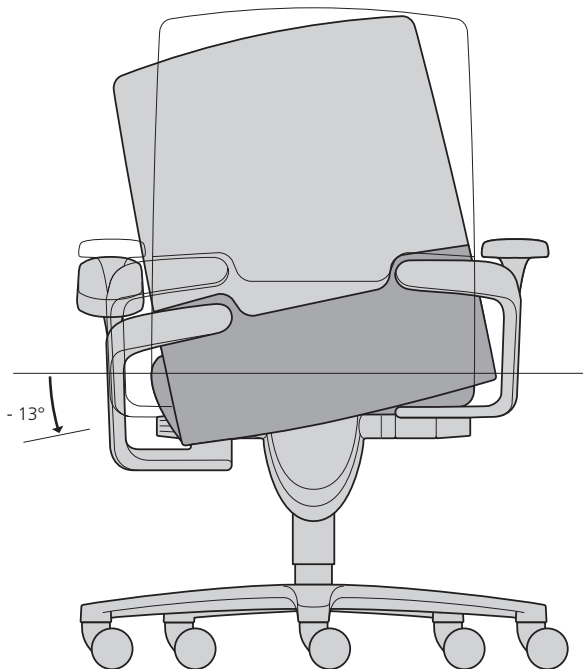
**Visitor chair frame types:** Fiberflex and fabric upholstered types are all stackable and bright chromium plated, not stackable with management grade upholstery, but with optional coated finish.

## **Put together your own ON family**

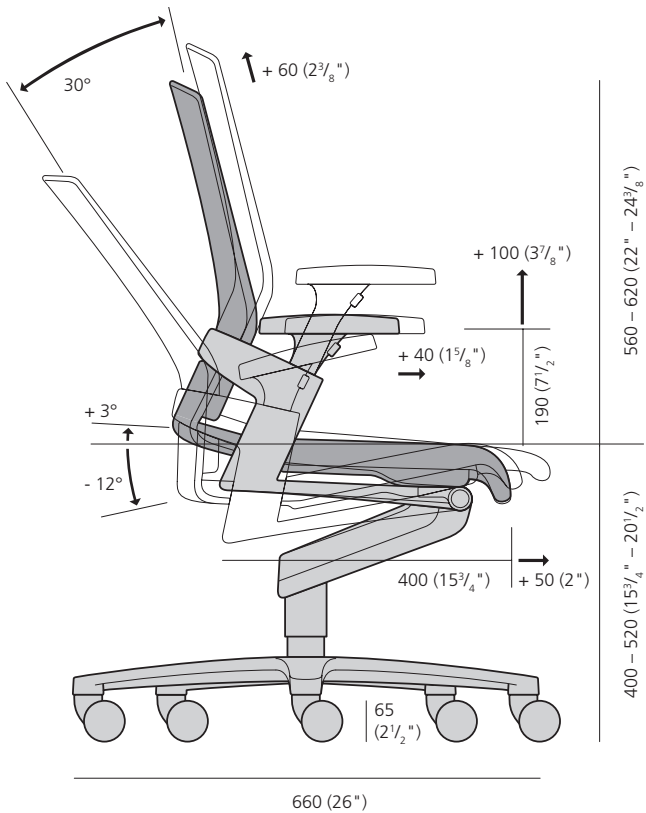
**– we are happy to help. But most importantly:  
come and try ON – the new generation of seating.  
For a healthy and better office environment.**

For detailed technical information visit:  
[www.wilkhahn.com/on](http://www.wilkhahn.com/on)

**ON<sup>®</sup>** Functions.  
At a glance.



All dimensions in mm (inches).







174/7



175/7



175/7



174/7



175/7



175/7



174/71



175/71



175/71



176/7



178/7



176/7



178/7



176/71



178/71

ON<sup>®</sup>

## Sustainability inclusive.

Like all Wilkhahn<sup>®</sup> products, ON is designed with durability and superior quality in mind. The innovative new seating concept with excellent materials and high quality workmanship represents nothing less than tomorrow's standard. The chair has a service-friendly design and modular structure, making parts easy to retrofit. Parts subject to wear and tear, covers and upholstery are easy to remove and exchange. The manufacturing process uses some recycled materials and 96.5 % of ON is recyclable at the end of the chair's useful life. In addition to the definitive international office chair standards, Greenguard has also certified ON as suitable for interiors.

Logistical and manufacturing processes are environmentally friendly. The knock-down principle of assembling the back reduces the transport volume by 45 %. Wilkhahn was awarded the German Environment Prize and is ISO 14001 and EMAS certified. The production department at the main plant in Bad Münde, Germany has cut CO<sub>2</sub> emissions by 78 %. This achievement was made possible by an extremely modern block heat and power station, operated by renewable energy sources. Wilkhahn is also the first office furniture manufacturer that will request suppliers and partners to comply with environmental and social responsibility standards.

For more eco-product information and certificates visit:  
[www.wilkhahn.com/on](http://www.wilkhahn.com/on)



**Wilkhahn**

Wilkening + Hahne GmbH+Co. KG  
Fritz-Hahne-Straße 8  
31848 Bad Münder  
Germany  
Tel. +49 (0) 5042 999-0  
Fax +49 (0) 5042 999-226  
info@wilkhahn.de  
www.wilkhahn.de

Australia  
Sydney, Brisbane, Melbourne  
info@wilkhahn.com.au

Belgium, Antwerpen  
info@wilkhahn.be

Central and Eastern Europe  
Polska, Warszawa  
info@wilkhahn.pl

China, Shanghai  
info@wilkhahn.com.au

España, Madrid  
info@wilkhahn.es

France, Paris  
info@wilkhahn.fr

Great Britain, London  
info@wilkhahn.co.uk

Hong Kong  
info@wilkhahn.com.au

Japan, Tokyo  
info@wilkhahn.co.jp

Luxemburg, Bertrange  
info@wilkhahn.lu

Malaysia, Kuala Lumpur  
info@wilkhahn.com.au

Nederland, Rotterdam  
info@wilkhahn.nl

New Zealand, Auckland  
info@wilkhahn.co.nz

North America, New York  
info@wilkhahn.com

Österreich, Wien  
info@wilkhahn.at

Schweiz, Bern  
info@wilkhahn.ch

Singapore  
info@wilkhahn.com.au

South Africa, Johannesburg  
info@emergent.co.za

United Arab Emirates, Dubai  
info@wilkhahn-me.com