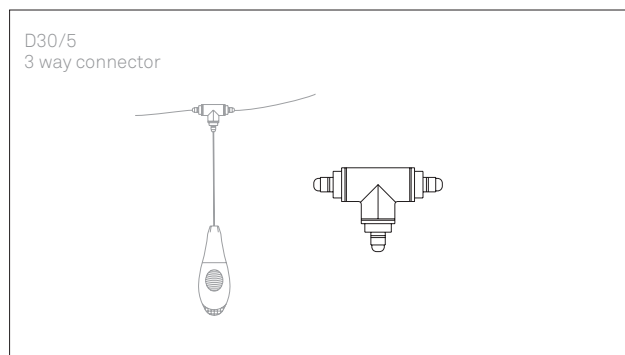
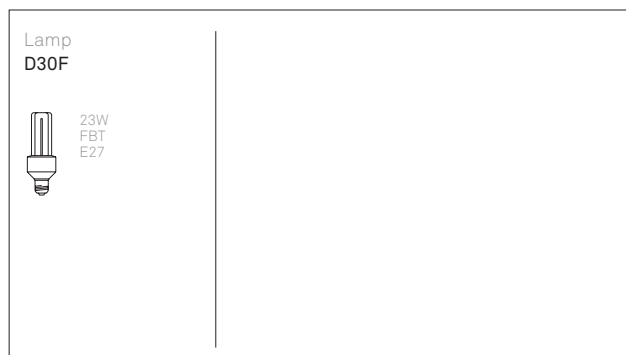
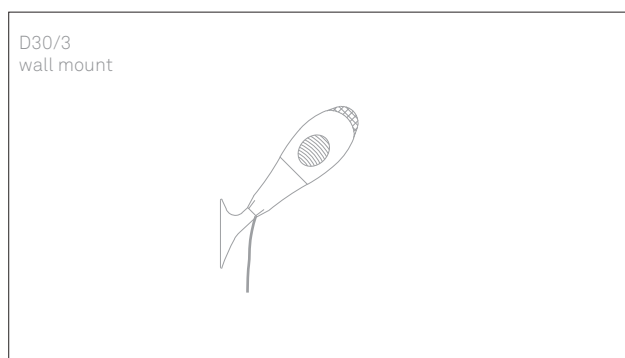
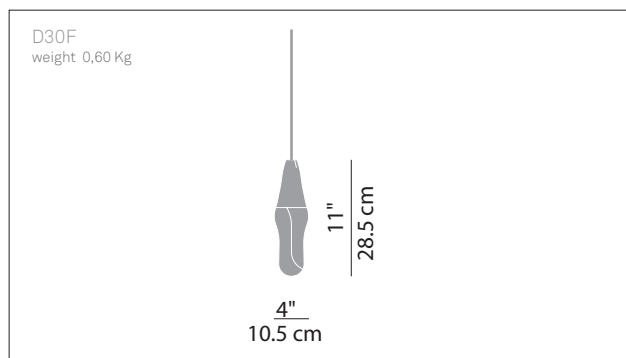


POD LENS

ross lovegrove

D30



Materials
injection-moulded polycarbonate diffuser with prismatic internal walls and overmoulded lens
the material is self-extinguishing

Structure finishes

grey sage green terracotta



Note
colors resistant to ultraviolet rays

IP65   