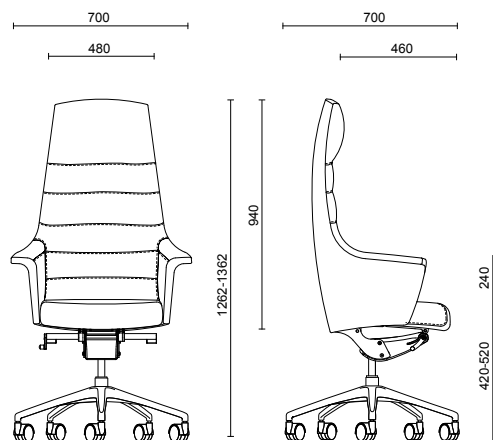


## of course

executive



### casters

casters made of polyamide, black colour, and diameter 65 mm. free or self-braking; available for soft floor or for hard floor

### 5 – star base

the base is also available in aluminium with aluminium paint finish with double coat anti-scratch finish or with polished finishing

### seat height adjustment

gas-lift

### mechanism

synchronic mechanism providing the adjustment of back and seat angle, lockable in 11 different positions, with anti-shock system and body weight adjustment by means of a simple side handle

### supporting structure

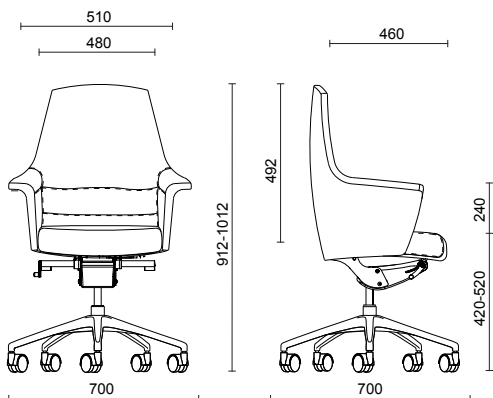
back and seat inner structure made of steel with elastic belts to allow the best comfort and durability. Ergonomic seat and back

### finishing

Of Course is manufactured with a great attention of the details and it is completely hand-made.

A great care is also taken in the selection of the leathers. We do suggest you to choose among the 13 different combinations we proposed with the fabric TC and full grain leather MS according to the scheme shown in our price list

operative



### foams

cold injected polyurethane foams, fire-retardant Class 1. Arms integrated in the structure

### head-rest (executive version)

the head-rest is integrated in the back structure and it has an increased foam with respect to the rest of the structure to allow the best support and relax