



Hanzlik House, Siesta Key, Sarasota, Florida, USA. Architect: Alain Huin. Photo: Clearlight

Weblink
1433

Design
Poul Henningsen

Concept
PH 80 Floor creates a diffuse lighting. The major part of the light is directed downward by the acrylic shades, allowing light to be emitted horizontally and upward. The red colour of the top reflector creates a warm tone of light.

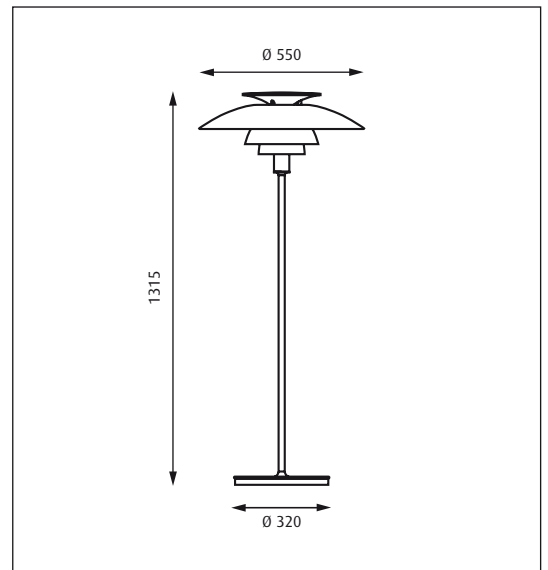
Finish
White opal acrylic. High lustre chrome plated.

Material
Shades: High pressure moulded white opal acrylic. Top shade: Black and red, high pressure moulded polycarbonate. Base: Black, high pressure moulded ABS. Stem: High lustre chrome plated, steel.

Mounting
Cable type: Vinyl cord with plug. Cable length: 2.6m. Light control: Foot switch on cord.

Weight
Max. 7.5kg.

Class
Ingress protection IP20. Electric shock protection II w/o ground. ⚠



Product code	Light source	Finish
PH80-F	1x100W A60 Frosted E27	WHT OPAL ACRYL

Info notes:
Find energysaving alternative light sources on www.louispoulsen.com.

