



Weblink
1427

Project page
254, 342

Albert-Ludwig University, Freiburg, Germany. Architect: Klaus Max Rippel, Harter+Kanzler & Broghammer+Jana+Wohleber. Photo: Bent Ryberg/Planet

Design
Arne Jacobsen

Concept
AJ Table has a fixture head with a distinct asymmetrical shape, which determines the light characteristics of the fixture. The fixture head is tiltable. The base of the table lamp has a hole, which adds elegance and lightness to the design. The unique quality of its design idiom has made these fixtures modern classics.

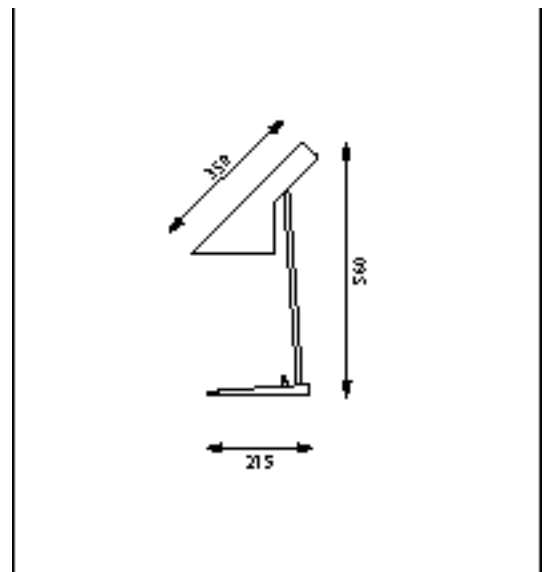
Finish
Blue/green, yellow/green, petroleum, red or sand. Black, graphite grey or white, wet painted.

Material
Shade: Spun steel. Base: Die cast zinc. Stem: Steel.

Mounting
Cable type: Vinyl cord with plug. Cable length: 2.4m. Light control: Switch in lamp stand.

Weight
Max. 2.5kg.

Class
Ingress protection IP20. Electric shock protection II w/o ground. ▽



Product code	Light source	Finish
AJ-T	1x60W A55 Frosted E27	BLUE/GREEN YELLOW/GREEN PETROLEUM RED SAND BLK GRAPH GREY WHT

Info notes:
Find energysaving alternative light sources on www.louis Poulsen.com.

