

table &amp; floor



Studio photo. Photo: Kaslov Studio

**Weblink**  
1436

**Design**  
Verner Panton

**Concept**

Panthella Table has an organic and well-balanced form, consisting of a hemispherical shade with soft and comfortable light distribution.

**Finish**

White opal acrylic.

**Material**

Shade: Injection moulded white opal acrylic. Base: White, injection moulded ABS. Housing: White, injection moulded ABS.

**Mounting**

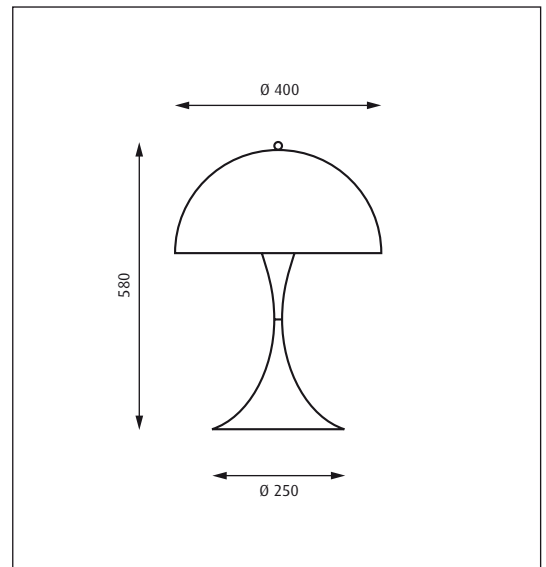
Cable type: Vinyl cord with plug. Cable length: 2.1m. Light control: In-line switch on cord.

**Weight**

Max. 3.5kg.

**Class**

Ingress protection IP20. Electric shock protection II w/o ground. ⚠



| Product code | Light source          | Finish         |
|--------------|-----------------------|----------------|
| PAN-T        | 1x75W A60 Frosted E27 | WHT OPAL ACRYL |

Info notes:  
Find energysaving alternative light sources on [www.louis poulsen.com](http://www.louis poulsen.com).

