



**Weblink**  
1418



**Project page**  
322, 376

Private residence. Aichtal, Germany. Architect: Prof. Hans Klumpp & Julia Klumpp. Photo: Günther Lehnert

#### Design

Poul Henningsen

#### Concept

PH 3/2 Table provides soft lighting. PH 3/2 is designed on the principle of a reflecting multi-shade system, creating harmonious and glare-free lighting. The shade design is based on a logarithmic spiral, with the centre of the light source placed in the spiral's focal point.

#### Finish

White opal glass. High lustre chrome plated or black chrome plated.

#### Material

Shades: Mouth-blown white opal glass. Top plate: High lustre chrome plated or black chrome plated, spun brass. Base: High lustre chrome plated or black chrome plated, brass. Stem: High lustre chrome plated or black chrome plated, brass.

#### Mounting

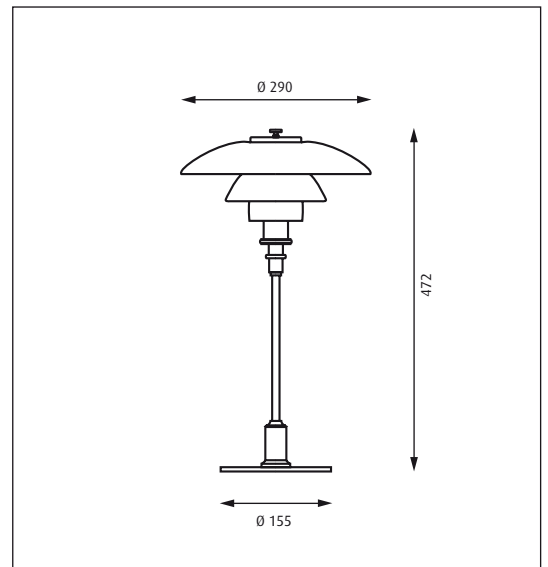
Cable type: Vinyl cord with plug. Cable length: 2.1m. Light control: In-line switch on cord.

#### Weight

Max. 2.5kg.

#### Class

Ingress protection IP20. Electric shock protection II w/o ground. ⚠



Product code	Light source	Finish
PH32-T	1x40W D45 Frosted E14	HIGH LUSTRE CHROME-PLATED BLACK CHROME-PLATED

Info notes:  
Find energysaving alternative light sources on [www.louispoulsen.com](http://www.louispoulsen.com).



Black  
chrome-  
plated



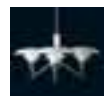
Page 149



Page 125



Page 95



Page 94