



Orinda Library. Orinda, California, USA. Architect: StastnyBrun Architects, Inc. Engineer: POLA Inc. Photo: Frank Domin

Weblink
1431

Design

Poul Henningsen

Concept

PH 4/3 Table provides mainly downlight. PH 4/3 is designed on the principle of a reflecting multi-shade system, creating harmonious and glare-free lighting. The shade design is based on a logarithmic spiral, with the centre of the light source placed in the spiral's focal point.

Finish

White, wet painted. High lustre chrome plated.

Material

Shades: Spun aluminium. Base: High lustre chrome plated, spun brass. Stem: High lustre chrome plated, steel. Triangular piece: Black sandblasted, injection moulded bakelite.

Mounting

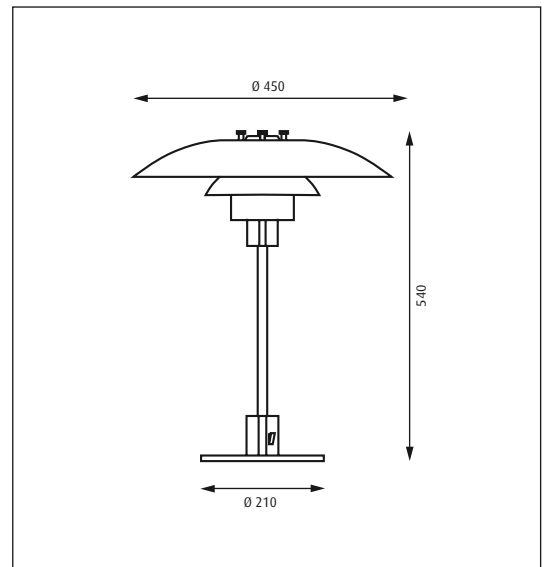
Cable type: Vinyl cord with plug. Cable length: 2.9m. Light control: Switch in lamp stand.

Weight

Max. 2kg.

Class

Ingress protection IP20. Electric shock protection II w/o ground. ⚠



Product code	Light source	Finish
PH43-T	1x100W A60 Frosted E27	WHT

Info notes:
Find energysaving alternative light sources on www.louispoulsen.com.

