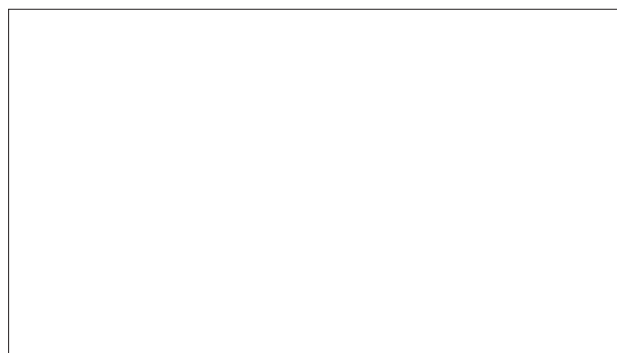
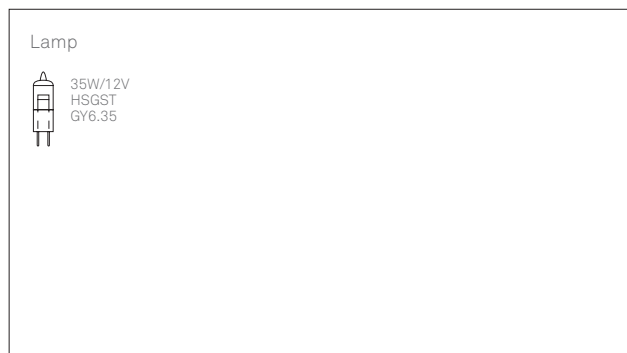
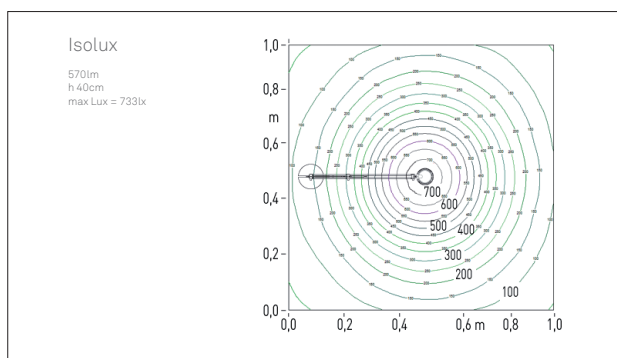
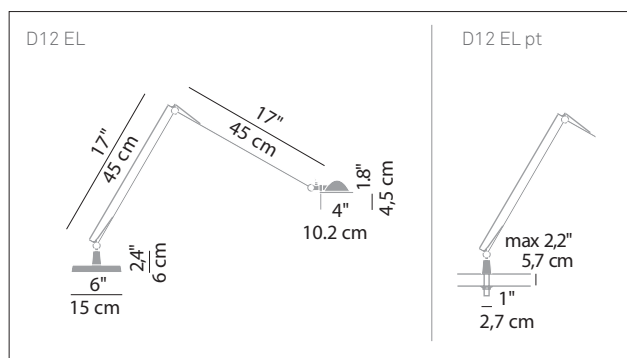


BERENICE

alberto meda, paolo rizzato

D12



Materials
metal parts in diecast aluminium reinforced nylon frictional joints rynite head
parabolic reflector in pressed glass or in metal

Structure finishes

○ white ● black ● metal gun

Glass reflector Metal reflector

● blue ● ivory ● green ● alu ● black

Note
berenice operates with a electronic transformer that allows extra low tension current to reach the light source through its rods without electric wiring

