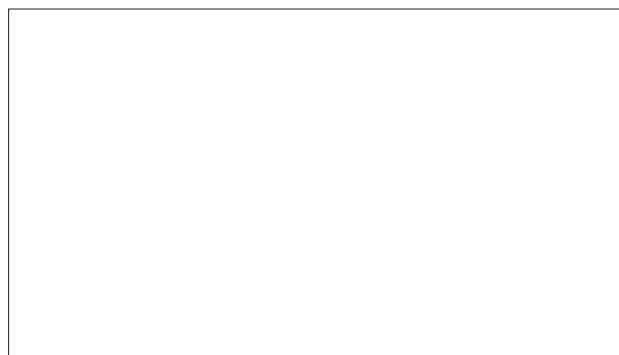
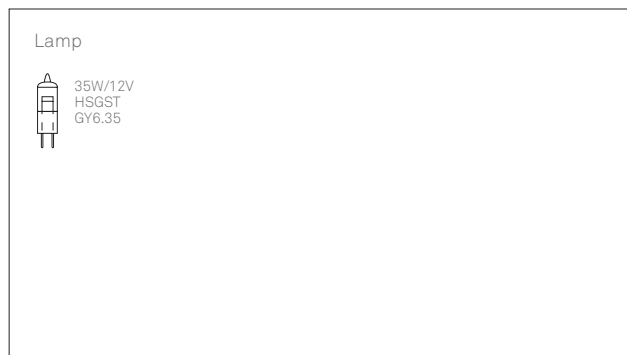
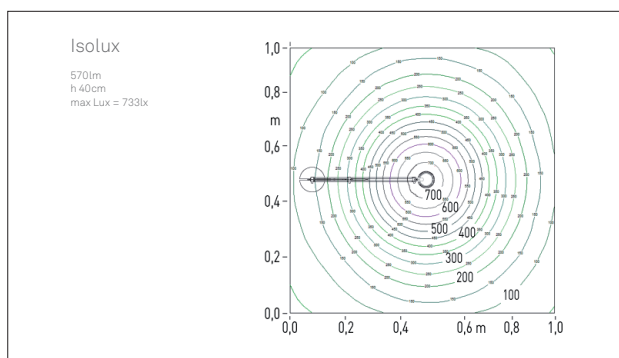
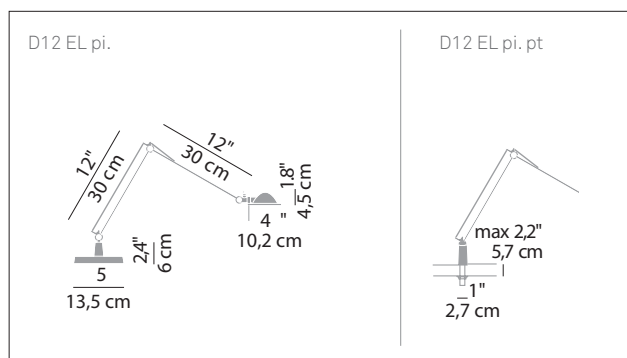


BERENICE

alberto meda, paolo rizzato

D12 pi.



Materials
metal parts in diecast aluminium reinforced nylon frictional joints rynite head
parabolic reflector in pressed glass or in metal

Structure finishes
 white black metal gun

Glass reflector Metal reflector
 blue ivory green alu black

Note
berenice operates with a electronic transformer that allows extra low tension current to reach the light source through its rods without electric wiring

