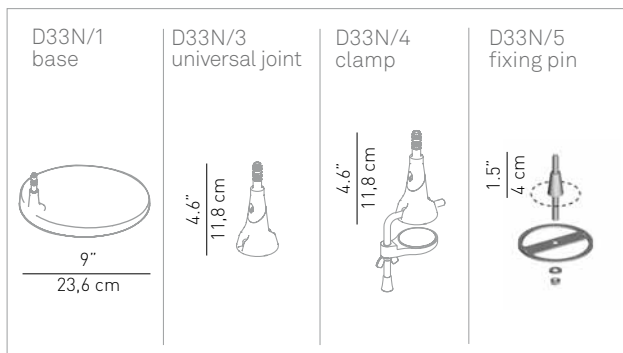
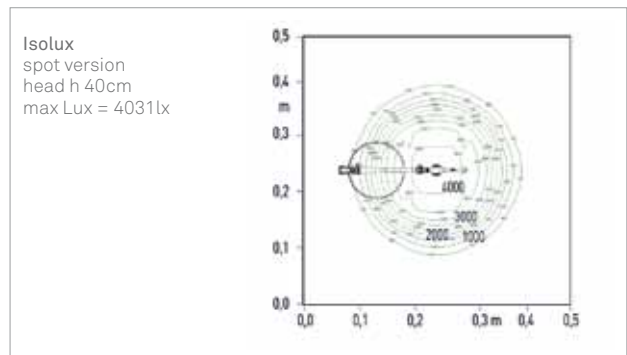
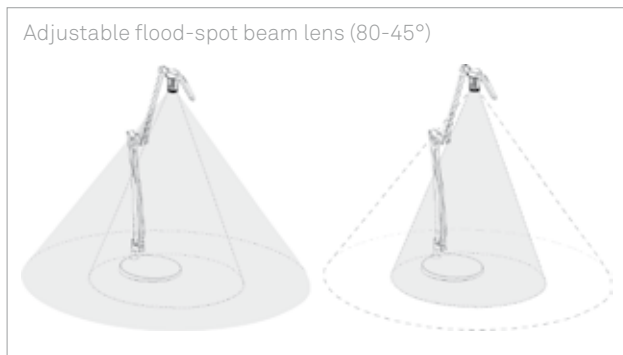
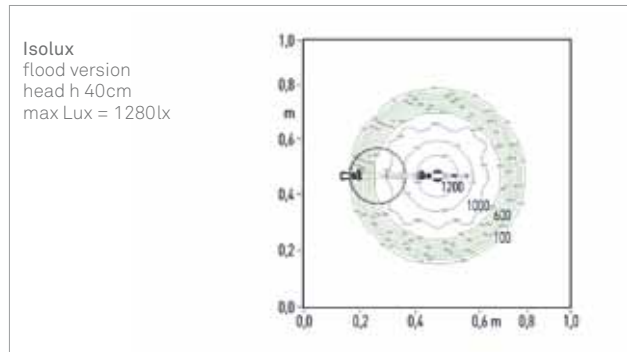
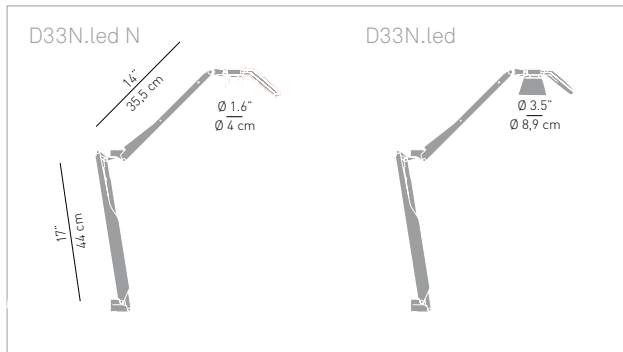


FORTEBRACCIO LED

alberto meda, paolo rizzatto

D33



Lamp
LED warm white
7,8W
Power supply 24V
from 2900 to 3000 °K
Ra 80

Materials
injection-moulded grip /moulded polycarbonate sheared and formed steel arms diecast aluminium headsink

Structure finishes
 glossy white
 black soft-touch
 alu

Note
the lamp's two arms rotate independently, horizontally and vertically, allowing Fortebraccio to take on extreme and functional positions

