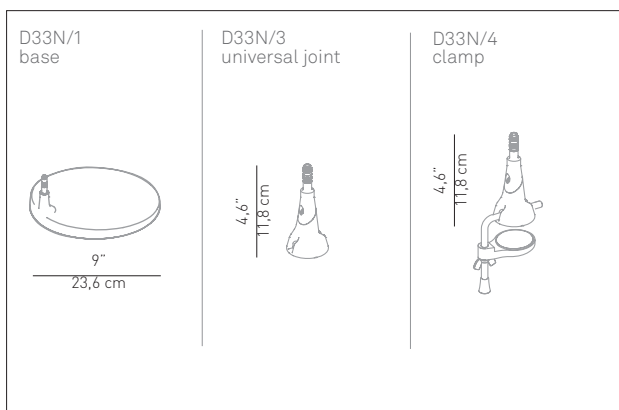
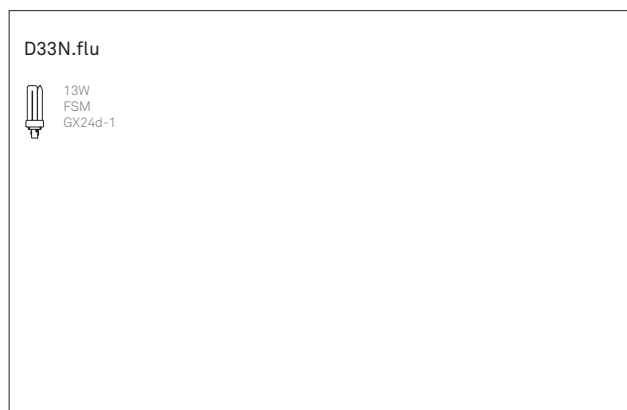
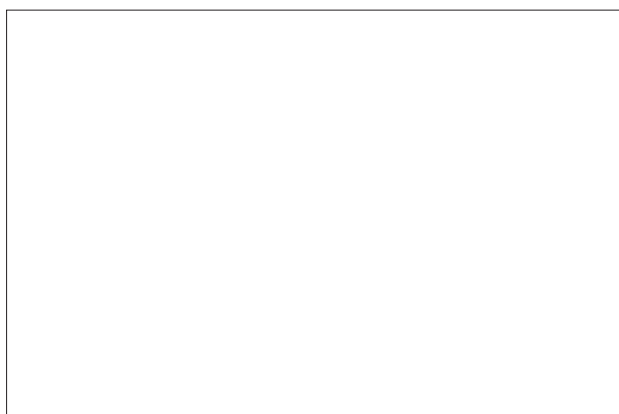
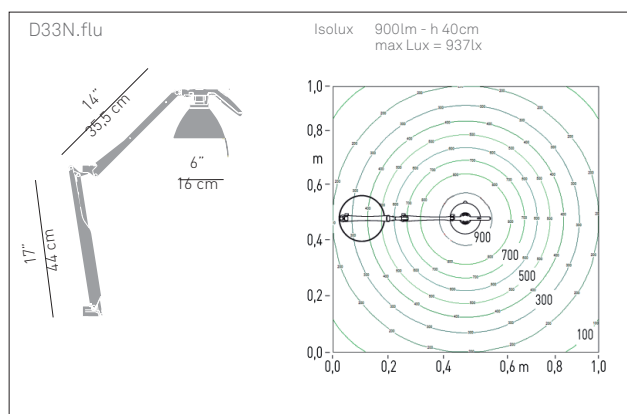


FORTEBRACCIO

rizzato paolo, meda alberto

D33



Materials
injection-moulded grip /moulded polycarbonate sheared and formed steel arms die-cast metal joints

Structure finishes

glossy white
 black soft-touch
 alu

Note

