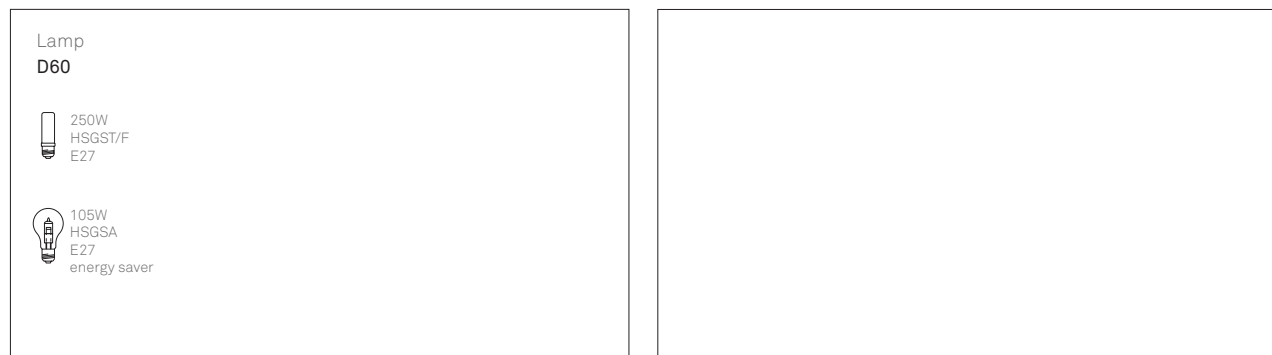
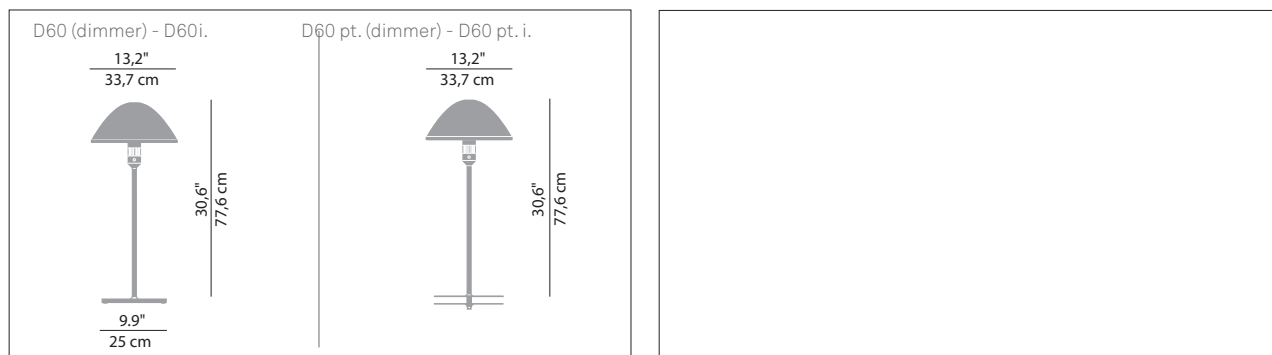


MIRANDA

paolo rizzato

D60



Materials
aluminium body opaline blown glass diffuser

Structure finishes
 alu

Diffuser
 opal

Note
the cylindrical form of the lamp holder makes the assembly and disassembly of the components easier

