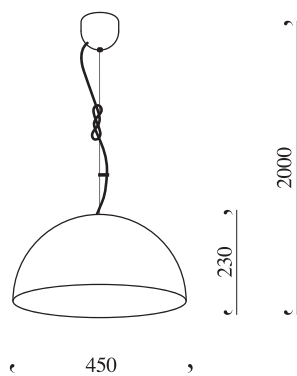


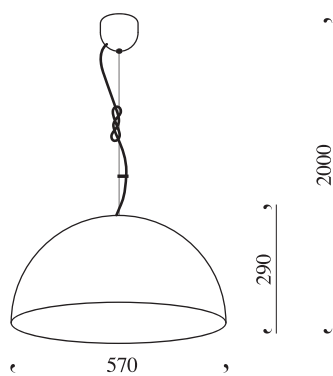
„mammalampa” the queen



pendant lamp medium

Art. No. que m p

light-bulb - 1 x max 150W



pendant lamp large

Art. No. que l p

light-bulb - 1 x max 150W

design by Ieva Kalēja

materials - rusted metal, 23.75 carat golden plates | E27 | voltage - 220-240 V ~ 50/60 Hz | environment - indoor | €

the mood created by the queen is noble and ambitious - it is the central element in the room. the most noble and concurrently humble aura emanates from within the lamp. the exterior of the queen is made from corroding steel, while the inside of the lamp is covered with 23.75 carat gold plates which in combination with its spherical form create the illusion that the entire inner surface of the sphere radiates light. all of the lighting body's components are inherently natural, refined right down to the finest details, forming a unified ensemble with an organically corroding lamp shade. the queen's outstanding quality is guaranteed by the handcraft of expert goldsmiths who have applied the secrets of their craft accumulated over many years to their work on this regal creation. lamp providing direct light.