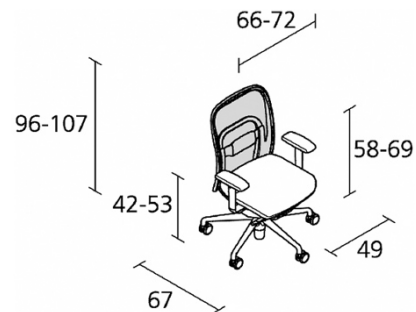


# norma 381 design Michele De Lucchi

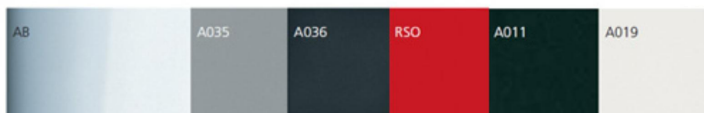


Height adjustable office chair with arms with 5-star swivel base. Back and arms support in die-cast aluminium and moulded plastic elements. Back covered with mesh or leather and seat upholstered in fabric or leather. Rubber pads arms or covered in leather. \*\* available also with hard castors with break

## structure

alluminio - aluminium - Aluminium  
aluminium - aluminium

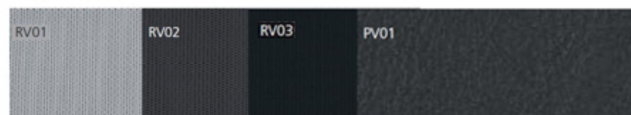
materiale plastico - plastic material - Kunststoffmaterial  
matériau plastique - constructiekunststof



## colors

rete - mesh - Netzgewebe  
maille - doek

rivestimento - covering  
Sitzbezug - revêtement - bekleding



# Certificazioni

Registro	Prova Verifica	Norma	Data	Posizione
21152892-1-001	stability test	EN 1335-3/2009	20/09/2010	
21152892-2-001	ANSI BIFMA X5.1 TESTS	ANSI BIFMA X 5.1/2002	07/09/2010	
21152892-1-001	durability of arms	EN 1335-3/2009	20/09/2010	
21152892-1-001	durability seat centre	EN 1335-3/2009	20/09/2010	
21152892-1-001	PAK - risk analysis	PAK	20/09/2010	
21152892-1-001	safety requirements	EN 1335-2/2010 par.4.1	20/09/2010	
21152892-1-001	test on seat and back	EN 1335-3/2009	20/09/2010	
21152892-1-001	arm static load	EN 1335-3/2009	20/09/2010	
21152892-1-001	dimension	EN 1335-1 /2002	20/09/2010	
21152892-1-001	marking of the chair	DIN 4551	20/09/2010	
21152892-1-001	marking of the gas cylinder	DIN 4550	20/09/2010	
21152892-1-001	instruction manual	EN 1335-3/2009	20/09/2010	
21152892-1-001	rolling resistance	EN 1335-3/2009	20/09/2010	
21152892-1-001	stability test	EN 1335-3/2009	20/09/2010	
21152892-2-001	ANSI BIFMA X5.1 TESTS	ANSI BIFMA X 5.1/2002	07/09/2010	
21152892-1-001	durability of arms	EN 1335-3/2009	20/09/2010	
21152892-1-001	durability seat centre	EN 1335-3/2009	20/09/2010	
21152892-1-001	PAK - risk analysis	PAK	20/09/2010	
21152892-1-001	safety requirements	EN 1335-2/2010 par.4.1	20/09/2010	
21152892-1-001	test on seat and back	EN 1335-3/2009	20/09/2010	
21152892-1-001	arm static load	EN 1335-3/2009	20/09/2010	
21152892-1-001	dimension	EN 1335-1 /2002	20/09/2010	
21152892-1-001	marking of the chair	DIN 4551	20/09/2010	
21152892-1-001	marking of the gas cylinder	DIN 4550	20/09/2010	
21152892-1-001	instruction manual	EN 1335-3/2009	20/09/2010	
21152892-1-001	rolling resistance	EN 1335-3/2009	20/09/2010	
21152892-1-001	stability test	EN 1335-3/2009	20/09/2010	
21152892-2-001	ANSI BIFMA X5.1 TESTS	ANSI BIFMA X 5.1/2002	07/09/2010	
21152892-1-001	durability of arms	EN 1335-3/2009	20/09/2010	
21152892-1-001	durability seat centre	EN 1335-3/2009	20/09/2010	
21152892-1-001	PAK - risk analysis	PAK	20/09/2010	
21152892-1-001	safety requirements	EN 1335-2/2010 par.4.1	20/09/2010	
21152892-1-001	test on seat and back	EN 1335-3/2009	20/09/2010	
21152892-1-001	arm static load	EN 1335-3/2009	20/09/2010	
21152892-1-001	dimension	EN 1335-1 /2002	20/09/2010	
21152892-1-001	marking of the chair	DIN 4551	20/09/2010	
21152892-1-001	marking of the gas cylinder	DIN 4550	20/09/2010	
21152892-1-001	instruction manual	EN 1335-3/2009	20/09/2010	
21152892-1-001	rolling resistance	EN 1335-3/2009	20/09/2010	
21152892-1-001	PAK - risk analysis	PAK	20/09/2010	
21152892-1-001	safety requirements	EN 1335-2/2010 par.4.1	20/09/2010	
21152892-1-001	test on seat and back	EN 1335-3/2009	20/09/2010	
21152892-1-001	arm static load	EN 1335-3/2009	20/09/2010	
21152892-1-001	dimension	EN 1335-1 /2002	20/09/2010	
21152892-1-001	marking of the chair	DIN 4551	20/09/2010	
21152892-1-001	marking of the gas cylinder	DIN 4550	20/09/2010	
21152892-1-001	instruction manual	EN 1335-3/2009	20/09/2010	
21152892-1-001	rolling resistance	EN 1335-3/2009	20/09/2010	
21152892-1-001	stability test	EN 1335-3/2009	20/09/2010	
21152892-2-001	ANSI BIFMA X5.1 TESTS	ANSI BIFMA X 5.1/2002	07/09/2010	

21152892-1-001  
21152892-1-001

durability of arms  
durability seat centre

EN 1335-3/2009  
EN 1335-3/2009

20/09/2010  
20/09/2010

***Alias***

Via delle Marine 5 24064 Grumello del Monte BG +39 035 44 22 511 [www.aliasdesign.it](http://www.aliasdesign.it) [info@aliasdesign.it](mailto:info@aliasdesign.it)