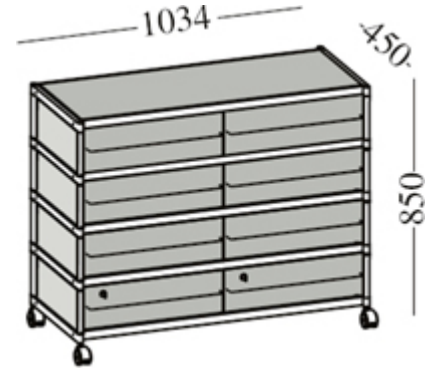


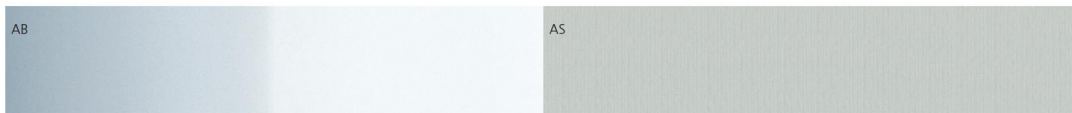
# SEC sideboard sid006 design Alfredo Häberli, C. Marchand



Sideboard with structure in extruded aluminium profiles, shelf and 8 drawers in metal (2 with key) in metal, lateral panels in methacrylate. Handles in chromed steel wire and chromed castors.

## structure

alluminio - aluminium - Aluminium  
aluminium - aluminium

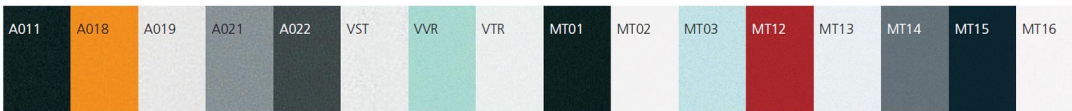


## colors

metallo verniciato - stove enameled metal  
Metall lackiert - metal laqué - gelakt metaal

vetro - glass - Glas  
verre - glas

metacrilato - methacrylate - Acrylglas  
méthacrylate - methacrylaat



# Certificazioni

Registro	Prova Verifica	Norma	Data	Posizione
24257/5	slam open/shut of doors	UNI 8602/84	22/01/2002	
24257/8	maximum load test	UNI 8606/84	22/01/2002	
24257/3	deflection of shelvess	UNI 8601/84	22/01/2002	
24257/4	strength of shelf supports	UNI 8603/84	22/01/2002	
24257/6	strength of drawer runners	UNI 8605/84	22/01/2002	
24257/1	stability test	UNI 8596/84 e FA1/95	22/01/2002	
24257/5	slam open/shut of doors	UNI 8602/84	22/01/2002	
24257/8	maximum load test	UNI 8606/84	22/01/2002	
24257/3	deflection of shelvess	UNI 8601/84	22/01/2002	
24257/4	strength of shelf supports	UNI 8603/84	22/01/2002	
24257/6	strength of drawer runners	UNI 8605/84	22/01/2002	
24257/1	stability test	UNI 8596/84 e FA1/95	22/01/2002	
24257/5	slam open/shut of doors	UNI 8602/84	22/01/2002	
24257/8	maximum load test	UNI 8606/84	22/01/2002	
24257/3	deflection of shelvess	UNI 8601/84	22/01/2002	
24257/4	strength of shelf supports	UNI 8603/84	22/01/2002	
24257/6	strength of drawer runners	UNI 8605/84	22/01/2002	
24257/1	stability test	UNI 8596/84 e FA1/95	22/01/2002	
24257/5	slam open/shut of doors	UNI 8602/84	22/01/2002	
24257/8	maximum load test	UNI 8606/84	22/01/2002	
24257/3	deflection of shelvess	UNI 8601/84	22/01/2002	
24257/4	strength of shelf supports	UNI 8603/84	22/01/2002	
24257/6	strength of drawer runners	UNI 8605/84	22/01/2002	
24257/1	stability test	UNI 8596/84 e FA1/95	22/01/2002	