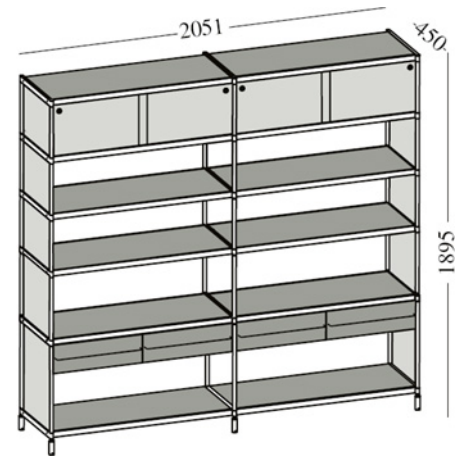


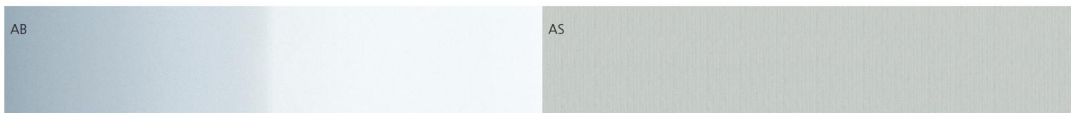
SEC bookshelf lib01 1 design Alfredo Häberli, C. Marchand



Bookshelf with structure in extruded aluminium profiles, shelves and drawers in metal, lateral and sliding panels in methacrylate. Handles in chromed steel wire and height adjustable feet in grey plastic.

structure

alluminio - aluminium - Aluminium
aluminium - aluminium

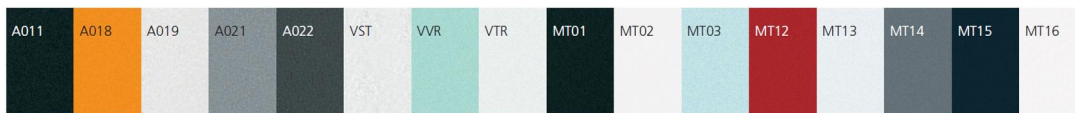


colors

metallo verniciato - stove enamelled metal
Metall lackiert - metal laqué - gelakt metaal

vetro - glass - Glas
verre - glas

metacrilato - methacrylate - Acrylglas
méthacrylate - methacrylaat



Certificazioni

Registro	Prova Verifica	Norma	Data	Posizione
24257/5	slam open/shut of doors	UNI 8602/84	22/01/2002	
24257/8	maximum load test	UNI 8606/84	22/01/2002	
24257/3	deflection of shelvess	UNI 8601/84	22/01/2002	
24257/4	strength of shelf supports	UNI 8603/84	22/01/2002	
24257/6	strength of drawer runners	UNI 8605/84	22/01/2002	
24257/5	slam open/shut of doors	UNI 8602/84	22/01/2002	
24257/8	maximum load test	UNI 8606/84	22/01/2002	
24257/3	deflection of shelvess	UNI 8601/84	22/01/2002	
24257/4	strength of shelf supports	UNI 8603/84	22/01/2002	
24257/6	strength of drawer runners	UNI 8605/84	22/01/2002	
24257/1	stability test	UNI 8596/84 e FA1/95	22/01/2002	
24257/1	stability test	UNI 8596/84 e FA1/95	22/01/2002	
24257/5	slam open/shut of doors	UNI 8602/84	22/01/2002	
24257/8	maximum load test	UNI 8606/84	22/01/2002	
24257/3	deflection of shelvess	UNI 8601/84	22/01/2002	
24257/4	strength of shelf supports	UNI 8603/84	22/01/2002	
24257/6	strength of drawer runners	UNI 8605/84	22/01/2002	
24257/1	stability test	UNI 8596/84 e FA1/95	22/01/2002	
24257/5	slam open/shut of doors	UNI 8602/84	22/01/2002	
24257/8	maximum load test	UNI 8606/84	22/01/2002	
24257/3	deflection of shelvess	UNI 8601/84	22/01/2002	
24257/4	strength of shelf supports	UNI 8603/84	22/01/2002	
24257/6	strength of drawer runners	UNI 8605/84	22/01/2002	
24257/1	stability test	UNI 8596/84 e FA1/95	22/01/2002	