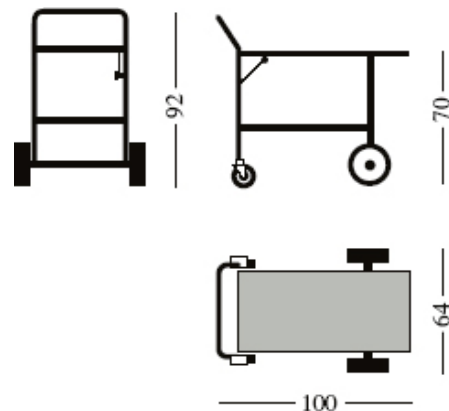


outdoor trolley 226 design Giandomenico Belotti



Folding trolley for outdoor use, with structure in anthracite stove enamelled steel with galvanic treatment and white nylon wheels with black polyurethane edge; stove enamelled perforated steel tops with galvanic treatment.

structure

acciaio inox - stainless steel - Inox Stahl
acier inoxydable - roestvrijstaal



colors

vetro - glass - Glas
verre - glas

rete - mesh - Netzgewebe
maille - doek



PVC



Alias

Via delle Marine 5 24064 Grumello del Monte BG +39 035 44 22 511 www.aliasdesign.it info@aliasdesign.it