

EASY KAP

Mounting	: Recessed Ceiling
Lamps description	: QR-CBC51 GX5.3 max 50W / LED QR-CBC51 7W
Voltage (V)	: 12
Environment	: Indoor

OPTICAL

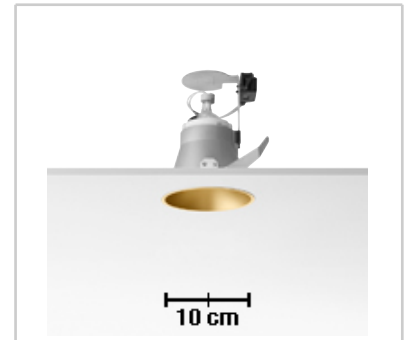
Light controller description	: Glass diffuser
Aiming	: Fixed
Light distribution symmetry	: Symmetric
Beam angle	: 43°, 44°

ELECTRICAL

Transformer availability	: Separate item
Transformer mounting	: Remote
Emergency	: Without
Insulation class	: Class III

PHYSICAL

Construction material	: Die-cast aluminum
Weight (kg)	: 0,37



Easy Kap8
design by FLOS Architectural

12V halogen lamp recessed downlight. Remote transformer not included. Installation frame not necessary

Reference Code

- 03.4450.GL **Gold**
- 03.4450.B1 **White**
- 03.4450.BU **Blue**
- 03.4450.74 **Black**

