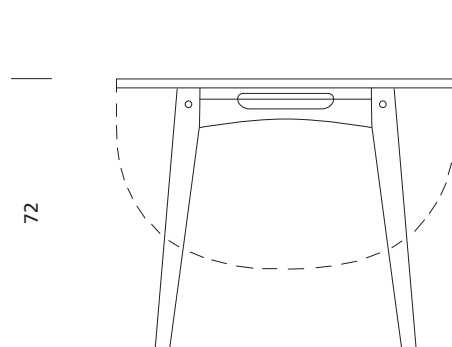
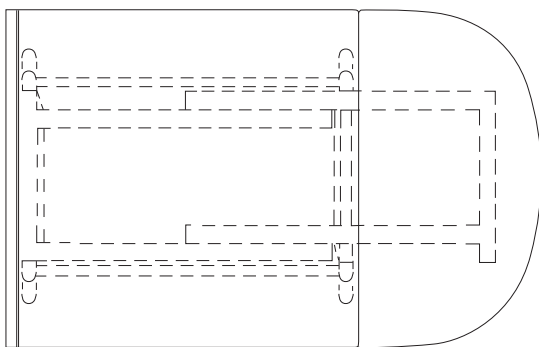
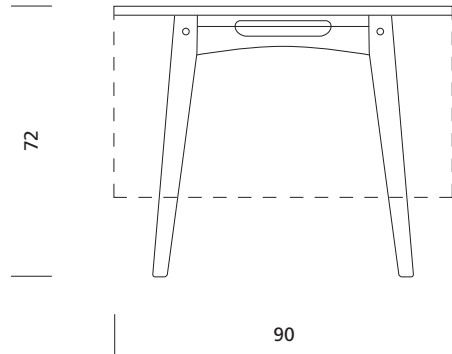
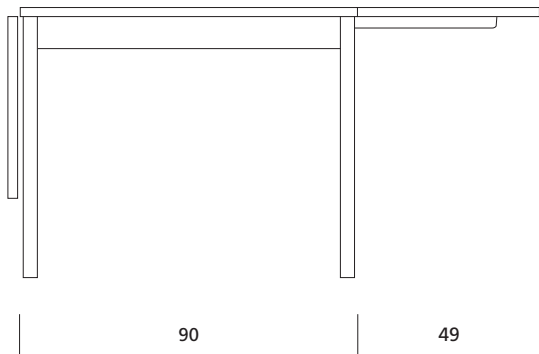


Hans J. Wegner / CH\_002 / 1982





1:20  
Measurements in centimeters

Tel +45 6612 1404\_ info@carlhansen.com  
www.carlhansen.com

1982

Hans J. Wegner \_ CH002