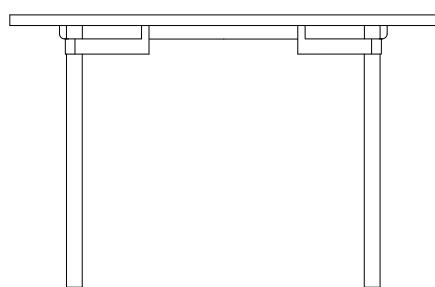
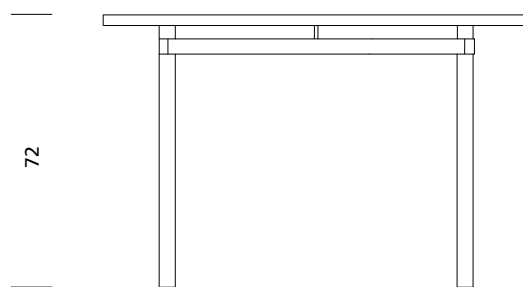


Hans J. Wegner / CH_333 / 1960



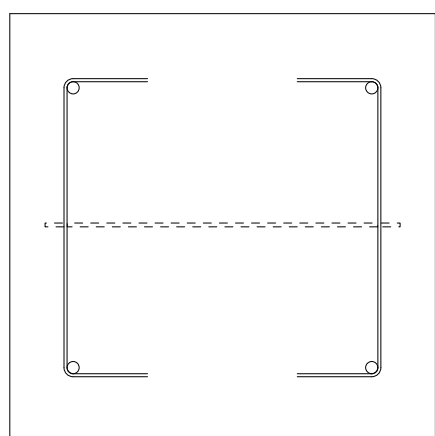


112



72

112



112

1:20
Measurements in centimeters

Tel +45 6612 1404_ info@carlhansen.com
www.carlhansen.com

1960

Hans J. Wegner _ CH333

 Carl Hansen & Søn