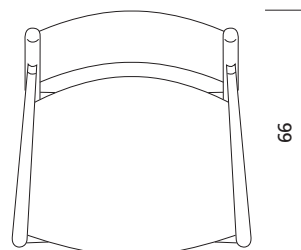
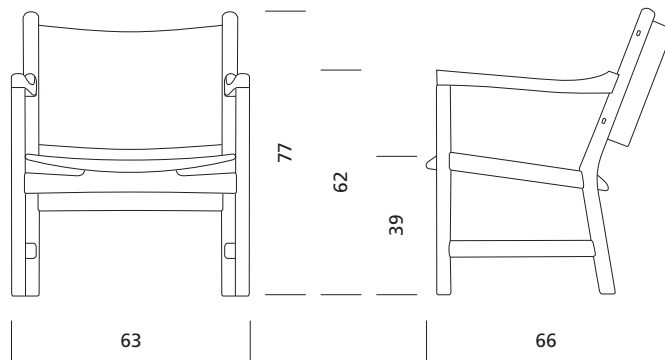


Hans J. Wegner / CH_52 / 1966





1:20
Measurements in centimeters

Tel +45 6612 1404_ info@carlhansen.com
www.carlhansen.com

1966

Hans J. Wegner _ CH52

 Carl Hansen & Søn