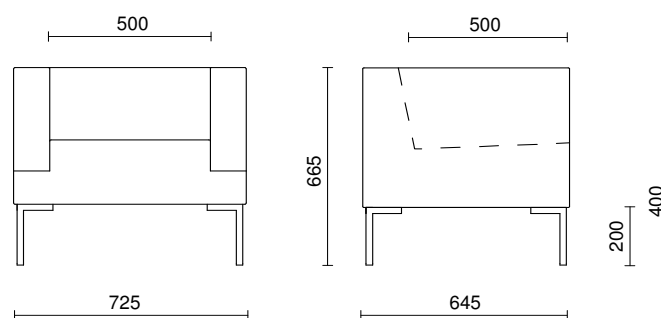


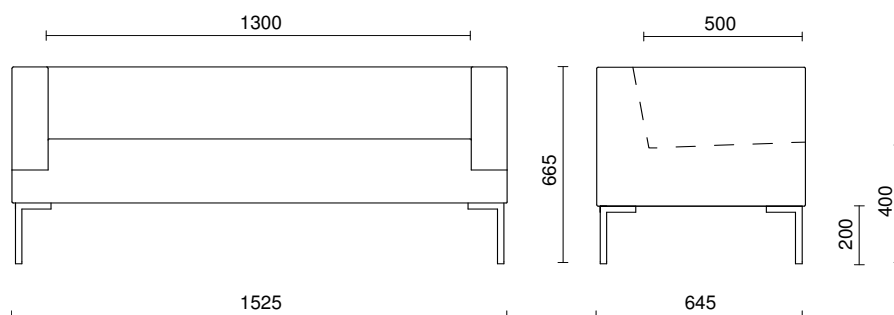
SitLand

Technical Data

MATRIX



WAITING CHAIR 1-SEATER



WAITING CHAIR 3-SEATER

Technical Features

Structure The structure is designed in order to get the most in terms of resistance. It is made of wood, totally clothed with the filling constituted by shaped polyurethane CFC free and a resinated layer. Seat cushion 35Kg/mc density and 100mm thickness, back cushion 40Kg/mc density and 55mm thickness.

Legs Die-cast aluminium polished legs h. 190 mm, complete with nonslip plastic caps, black colour.

Certifications

EN 1728	Test Report nr. 66063 and 66064 released by Catas on 27.02.2006
EN 1022	Test Report nr. 66063 and 66064 released by Catas on 27.02.2006
EN 15373	Certificate EN 15373 n° 10502/2010 released by Catas on 20-01-2010