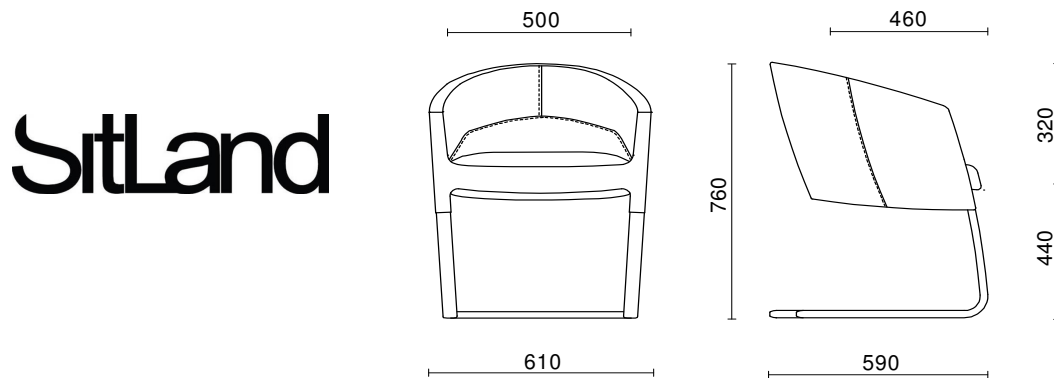


Technical Data OF COURSE *Visitor Chair*



Components

Technical Features

Metallic structure

The structure is designed in order to get the most in terms of resistance. Realized in high-resistance special section steel cold shaped. Aluminium paint finish + transparent anti-scratch treatment, or chromed.

Body Shell structure

Inner structure single shell seat / back made of steel with elastic belts to obtain the best comfort. Ergonomic seat and back.

Filling

The metallic structure gets over-moulded with cold injected flexible polyurethane foam, 65Kg/mc density with variable thickness, crushproof and fire-retardant Class 1, according to the Italian law.

Armrests

Armrests integrated in the structure.