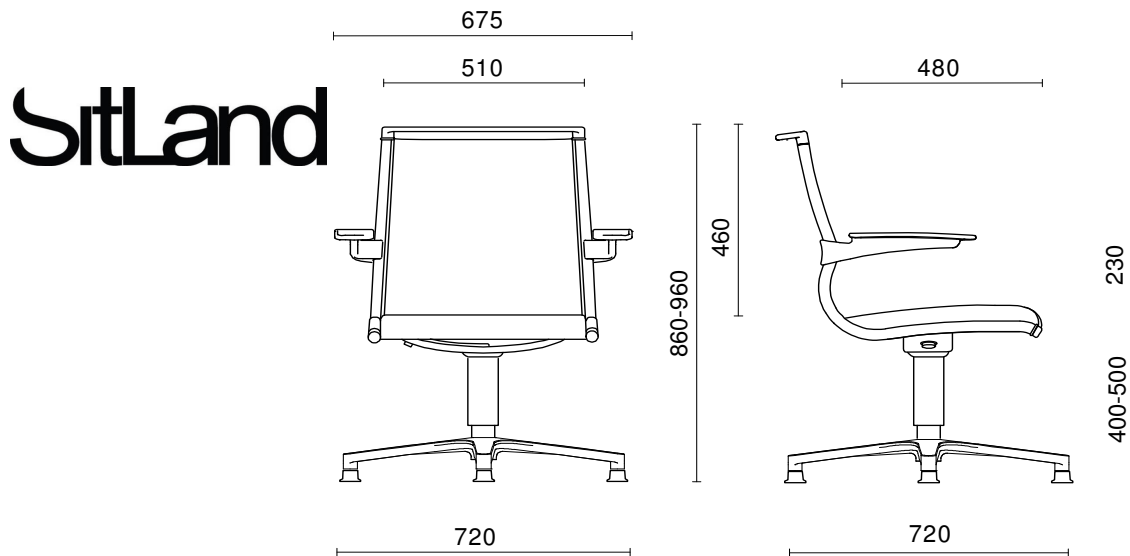


Technical Data: SIT IT MEETING COMFORT

4-star Base Upholstered Seat Back-rest Mesh Gas-lift



Components

Technical Features

Casters	Self-braking casters made of black polyamide ø65 free or rubbered and self-braking (not recommended).
Gliders	Gliders made of black polyamide, base ø45.
Base	4-star base with wide support diameter of ø720 mm. Base made of die-cast aluminium with the following possible finishes: polished, chromed and aluminium paint + transparent anti-scratch treatment.
Gas-lift	The gas-lift meets the requirements of DIN 4550 norm and it makes it possible to have a seat-height adjustment corresponding to a 100mm run.
Structure	The structure of the seat is designed in order to get the most in terms of resistance. It is made of high-resistance chromed steel tube internally coupled with a polished and chromed extruded aluminium profile. Complete with proper chromed ABS terminals and with a polished and chromed die-cast aluminium handle. Available with aluminium paint finish + transparent anti-scratch treatment too.
Seat	Filling support made of a special bearing cloth; filling made of flexible cold moulded crushproof polyurethane foam, 40mm thickness and 65 Kg/mc density. Fire-retardant Class 1 according to the Italian law.
Back	Highly elastic and tenacious mesh fabric ensuring high performances in terms of comfort and transpiration.
Fix Armrests	Fix armrest made of polished and chromed die-cast aluminium or with aluminium paint finish + transparent anti-scratch treatment. Available with armrest top made of soft complete polyurethane black colour or with top made of black shockproof plastic material. Available without armrests too.