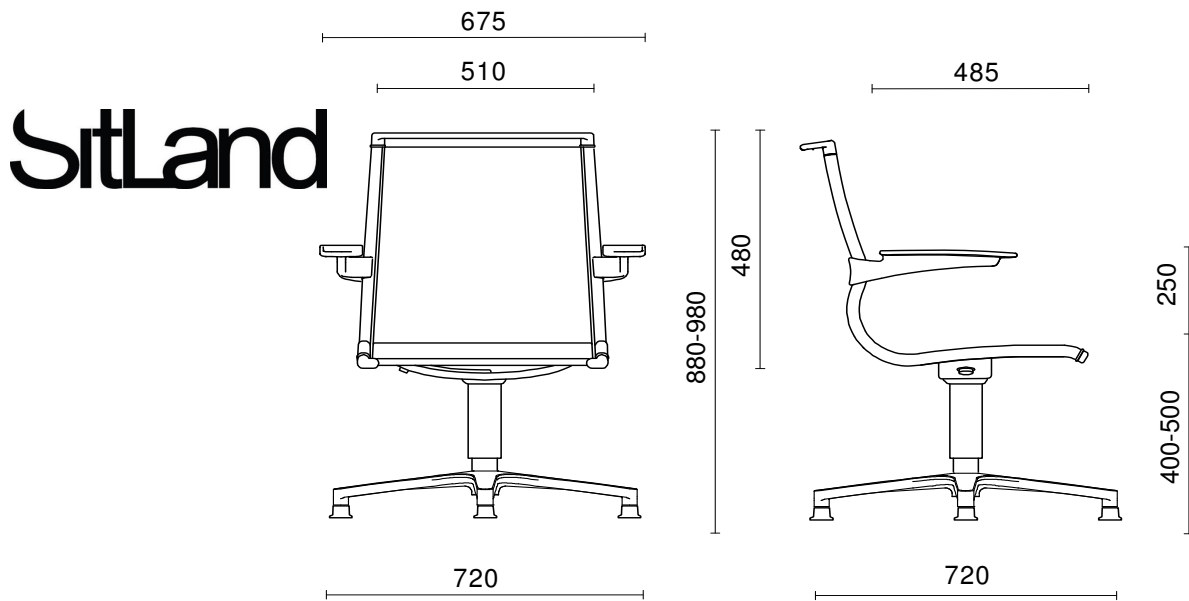


**Technical Data SIT-IT MEETING AIR***4-star base Gas-lift***Components****Technical Features**

<b>Casters</b>	Self-braking casters made of black polyamide $\varnothing 65$ free or rubbered (not recommended).
<b>Gliders</b>	Gliders made of black polyamide, base $\varnothing 45$ .
<b>Base</b>	4-star base with wide support diameter of $\varnothing 720$ mm. Base made of die-cast aluminium with the following possible finishes: polished, chromed and aluminium paint + transparent anti-scratch treatment.
<b>Gas-lift</b>	The gas-lift meets the requirements of DIN 4550 norm and it makes it possible to have a seat-height adjustment corresponding to a 100mm run.
<b>Structure</b>	The structure of the seat is designed in order to get the most in terms of resistance. It is made of high-resistance chromed steel tube internally coupled with a polished and chromed extruded aluminium profile. Complete with proper chromed ABS terminals and with a polished and chromed die-cast aluminium handle. Available with aluminium paint finish + transparent anti-scratch treatment too.
<b>Mesh</b>	Highly elastic and tenacious mesh fabric ensuring high performances in terms of comfort and transpiration, coupled to the seat by a special bearing cloth and a soft middle cushion.
<b>Fix Armrests</b>	Fix armrest made of polished and chromed die-cast aluminium or with aluminium paint finish + transparent anti-scratch treatment. Available with armrest top made of soft complete polyurethane black colour or with top made of black shockproof plastic material.  Available without armrests too.