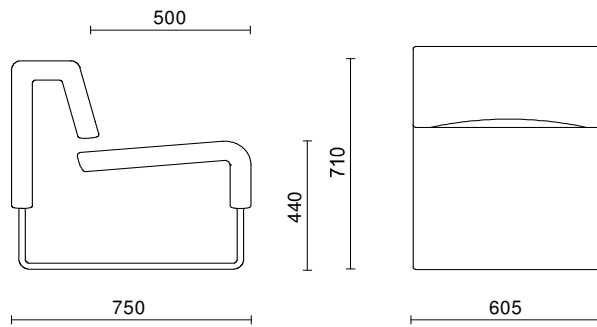


Technical Data

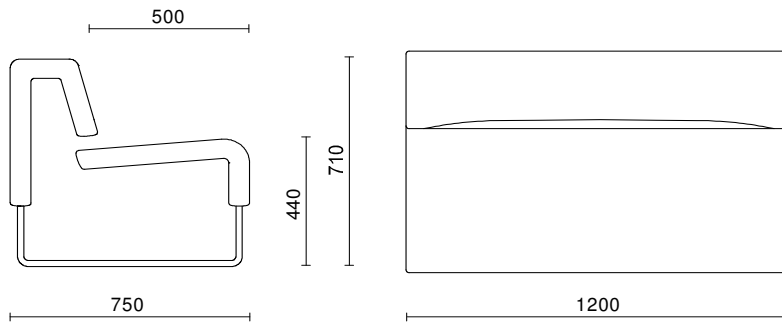
PATH

Modular Waiting Sofa

SitLand



Modular Waiting Sofa 1 Seat



Modular Waiting Sofa 2 Seat

Components

Technical Features

Legs Structure	The structure is designed in order to get the most in terms of resistance. It is realized in cold shaped steel and it supports seat and back. Aluminium paint finish + transparent anti-scratch treatment or chromed.
Seat	The seat is realized through a steel frame with elastic belts. It is entirely over-moulded with flexible polyurethane foam 75Kg/mc density, crushproof and fire-retardant Class 1 according to the Italian law.
Back	The back is realized through a steel frame with elastic belts. It is entirely over-moulded with flexible polyurethane foam 55Kg/mc density, crushproof and fire-retardant Class 1 according to the Italian law.
Gliders	Legs are provided with proper gliders made of transparent injected polycarbonate.
Lateral side Gangs	Each modular unit is provided with proper lateral side gangs made of injected black polyamide making it possible to join the modular units sideways.